



उ०.म०.शि०.अनु०.सं०

PRODUCT DEVELOPMENT SHEET

YEAR 2022: D&D 2022

PRODUCT CATEGORY: Card Holder

DESIGN NO: WOOD02

PRODUCT DESIGN DESCRIPTION: Art plus utility Handcrafted wood tribal card holder
Decorative Showpiece figurine for office desk decoration.

SPECIFICATION SHEET

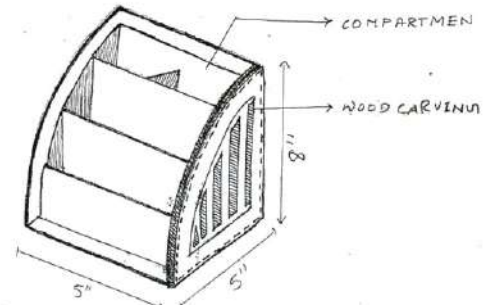
Material Description:	Wood
Fabric Type/thread c./color:	NA
Techniques:	Cutting, Pasting and Carving
Material infusion :	NA
Shape:	Oval Geometric
Color/Dye type:	Natural and Vibrant
Size/range: (IXbXh)	5"X5"X8"
Season:	Summer22
Material Proc. area:	Gaya
Prototype develop. vendor :	Institution Dept.

DEVELOPMENT COST

SAMPLE	IN RETAIL
400/- Approx	650/- Approx

DESIGN OVERVIEW SHEET

(Place within marked area)



- MULTI PURPOSE HOLDER WITH SEVERAL COMPARTMEN
- CARVENUS DESIGN AT SIDES ONLY
- REST OF THE AREAS REMAINS SIMPLE

SIZE: LBH= 5X5X8 (inches)

COLORS: Natural and Vibrant

MATERIALS: Wood

Card holder with carving design at 3 sides and 5 compartment, vibrant colours to use for tribal look.

Remarks:

Submitted by

Vivek Ranjan

Remarks:

EPCH
Authorised Signatory

Remarks:

UMSAS
Authorised Signatory



उ०.म०.शि०.अनु०.सं०

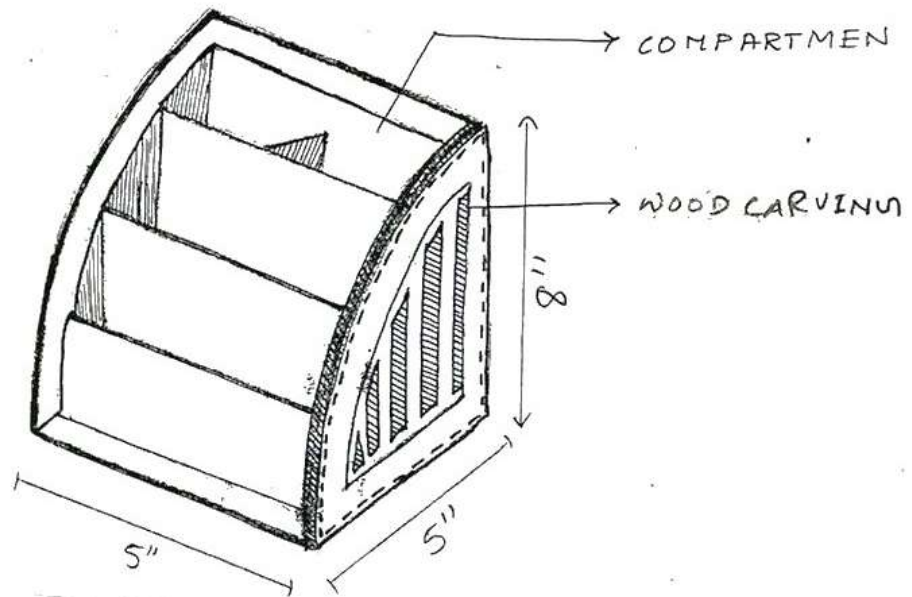
PRODUCT DEVELOPMENT SHEET

YEAR 2022: D&D 2022

PRODUCT CATEGORY: Card Holder

DESIGN NO: WOOD02

DESIGN DEVELOPMENT RENDER/ SKETCH:



- MULTI PURPOSE HOLDER WITH SEVERAL COMPARTMEN
- CARVING DESIGN AT SIDES ONLY
- REST OF THE AREAS REMAINS SIMPLE

DESIGN SYNOPSIS:

The design approach ensembles cosmopolitan & classic card holder design in terms of usability.

Designed to carry multiple items on the go. Minimalist looks to match your office desk decor statement.

Multi purpose holder with several compartment and Carving design at sides only.

Rest of the areas remains simple



उ०.म०.शि०.अनु०.सं०

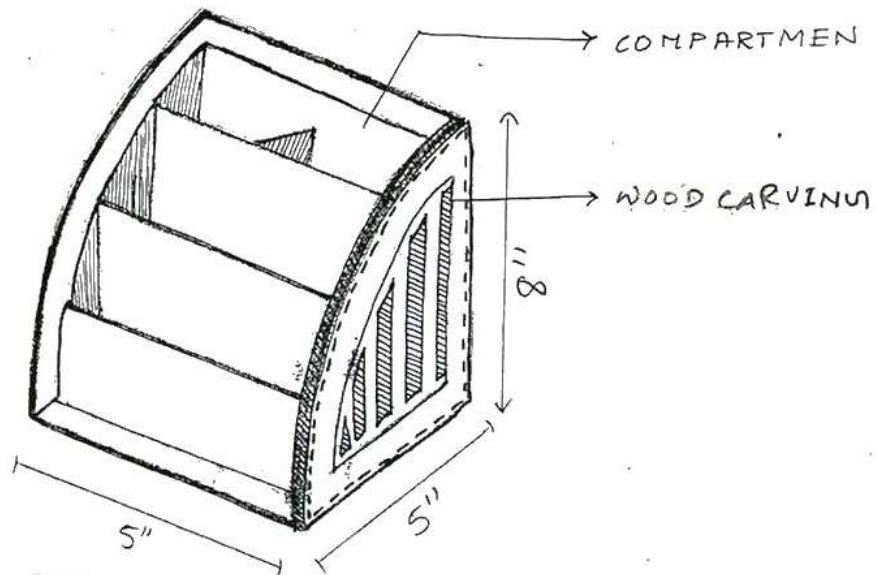
PRODUCT DEVELOPMENT SHEET

YEAR 2022: D&D 2022

PRODUCT CATEGORY: Card Holder

DESIGN NO: WOOD02

DEVELOPED PRODUCT:



- MULTI PURPOSE HOLDER WITH SEVERAL COMPARTMEN
- CARVINU. DESIGN AT SIDES ONLY
- REST OF THE AREAS REMAINS SIMPLE

Copyright & Disclaimer

Unless otherwise specified and/or credited all images, artwork, text and graphics, sketches, concepts, prototype of Design development sheet are the copyright of Upendra Maharathi Shilp Anusandhan Sansthan, Patna. All rights reserved.

All other images are the copyright of UMSAS. Designs, original art and art presented are for the use of the authorized concerned only.

All art, images, designs, and material are copyright of Upendra Maharathi Shilp Anusandhan Sansthan, Patna. and not be sold, added to design or art collections of any nature or any other unauthorized form of distribution or reproduction without express written permission by Upendra Maharathi Shilp Anusandhan Sansthan, Patna.

Upendra Maharathi Shilp Anusandhan Sansthan, Patna retains the right to display the product/ artwork in their corporate portfolios and marketing materials.